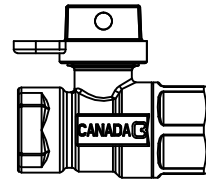


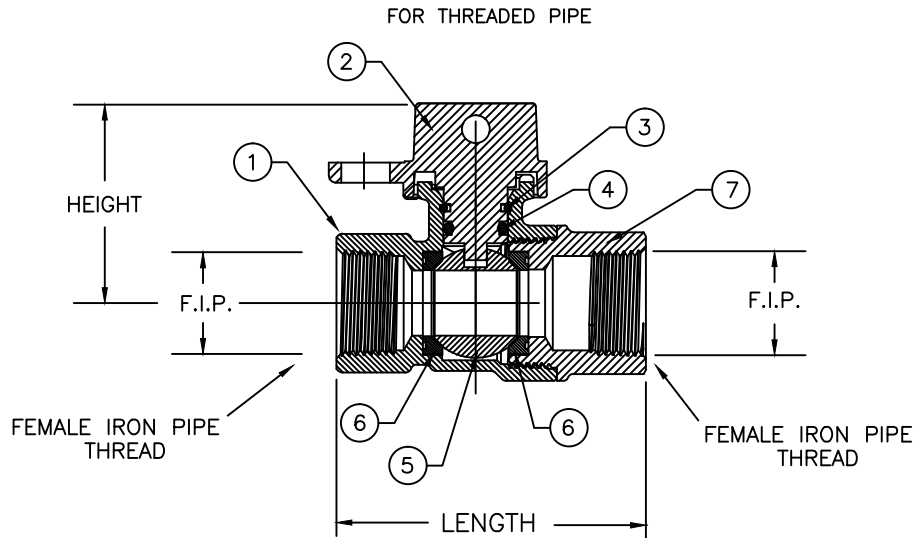
Cambridge Brass
P.O. Box 249
140 Orion Place
Cambridge, Ontario
Canada N1R 5V1
Tel: (519) 621-5520
Fax: (519) 621-8674
http://www.cambridgebrass.com



MODEL NO. 224NL

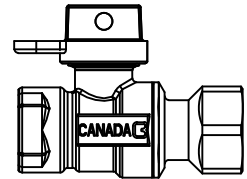
FEMALE IRON PIPE x FEMALE IRON PIPE

CURB STOP – BALL STYLE
REDUCED PORT WITH LOCKWING



PARTS AND MATERIAL:

1. VALVE BODY: CAST BRASS, ALLOY C89833
2. CAP STEM S/A: CAST BRASS, ALLOY C89833
3. SNAP RING: PHOSPHOR BRONZE, ALLOY C51000
4. O-RING: NITRILE RUBBER
5. BALL: COPPER, ALLOY C89833, TEFLON COATED
6. SEATS: NITRILE RUBBER
7. ENDPICCE: CAST BRASS, ALLOY C89833



224NL-F3F3S3470 AND
224NL-F3F3S3750 CONFIGURATION

FEATURES:

- ALL COMPONENTS CONFORM TO AWWA C800 (ASTM B-584, UNS NO C89833 FOR BRASS PARTS IN CONTACT WITH POTABLE WATER, AND ASTM B-62 AND B-584 UNS NO C83600 FOR ALL OTHER BRASS PARTS).
- CONFORMS TO ANSI/NSF 61-8
- CONFORMS TO ANSI/NSF 372 (COMPLIANT WITH US Safe Drinking Water Act. PL 111-380)
- VALVES ARE NON-DIRECTION WHICH ALLOWS FLOW TO BE IN EITHER DIRECTION.
- BLOWOUT PROOF STEM DESIGN.
- 300 PSI WORKING PRESSURE.
- HOLE FOR ATTACHING CURB BOX ROD OR HANDLE IS PROVIDED IN CAP.
- PADLOCK WING FOR LOCKING VALVE IN CLOSED POSITION.
- ENCAPSULATED LUGS UNDER CAP PROVIDE 90 DEGREE OPEN TO CLOSE OPERATION.

ORDERING INFORMATION:

FULL 360 ROTATION = ADD "R" TO END OF CATALOG NO.
HANDLE = ADD "H" TO END OF CATALOG NO.

Cambridge Brass considers the information in this submittal form to be correct at the time of publication. Item and option availability, including specifications, are subject to change without notice.

VALVE SIZE	CATALOG NO.	F.I.P.	F.I.P.	LENGTH	HEIGHT	APPROX. WT. LBS.
5/8"	224NL-F1F1	1/2"	1/2"	2.54"	1.93"	1.1
5/8"	224NL-F3F3	3/4"	3/4"	2.99"	1.93"	1.3
5/8"	224NL-F3F3S3470	3/4"	3/4"	3.54"	1.93"	1.4
5/8"	224NL-F3F3S3750	3/4"	3/4"	3.76"	1.93"	1.5
3/4"	224NL-F4F4	1"	1"	4.38"	1.85"	2.5

Submitted by: